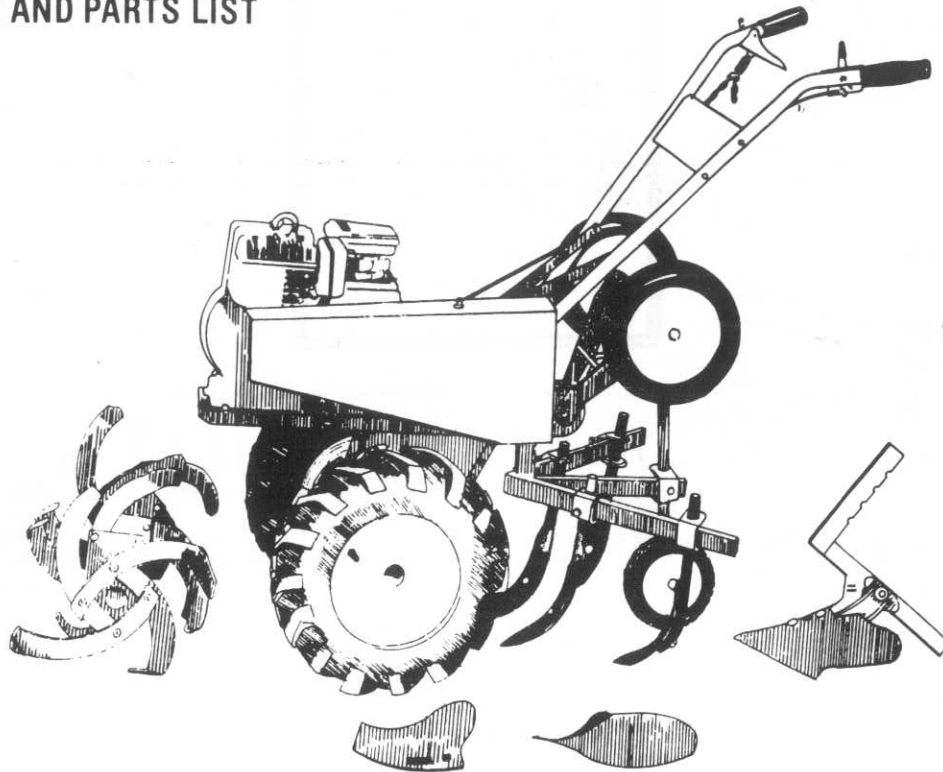


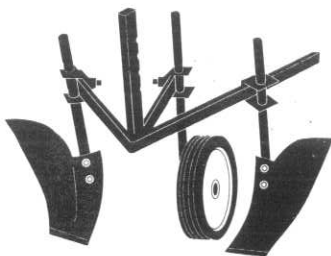
**ACCESSORIES FOR CHAIN DRIVE TILLER
INSTRUCTION FOR ASSEMBLY
ILLUSTRATION AND PARTS LIST**



**BY INTERCHANGING COMPONENTS OF YOUR ACCESSORY PACKAGE
YOU CAN ASSEMBLE A VARIETY OF CULTIVATING ACCESSORIES**

Your accessory package includes **ONE** A-frame mounting bar which may be used with cultivating blades or turn shovels, **ONE** furrow opener kit, **FOUR** cultivating blades, **TWO** turn shovels, **TWO** 16" pull wheels, **ONE** depth wheel assembly, **FOUR** standards for holding blades or shovels and **FIVE** adjustment brackets — four brackets for mounting standards to A-frame and one bracket for mounting depth wheel assembly to A-frame or furrow opener assembly. All necessary hardware is included.

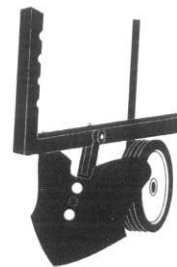
DEPTH WHEEL USED WITH EACH ASSEMBLY



**A-FRAME WITH TURN SHOVELS
AND DEPTH WHEEL**

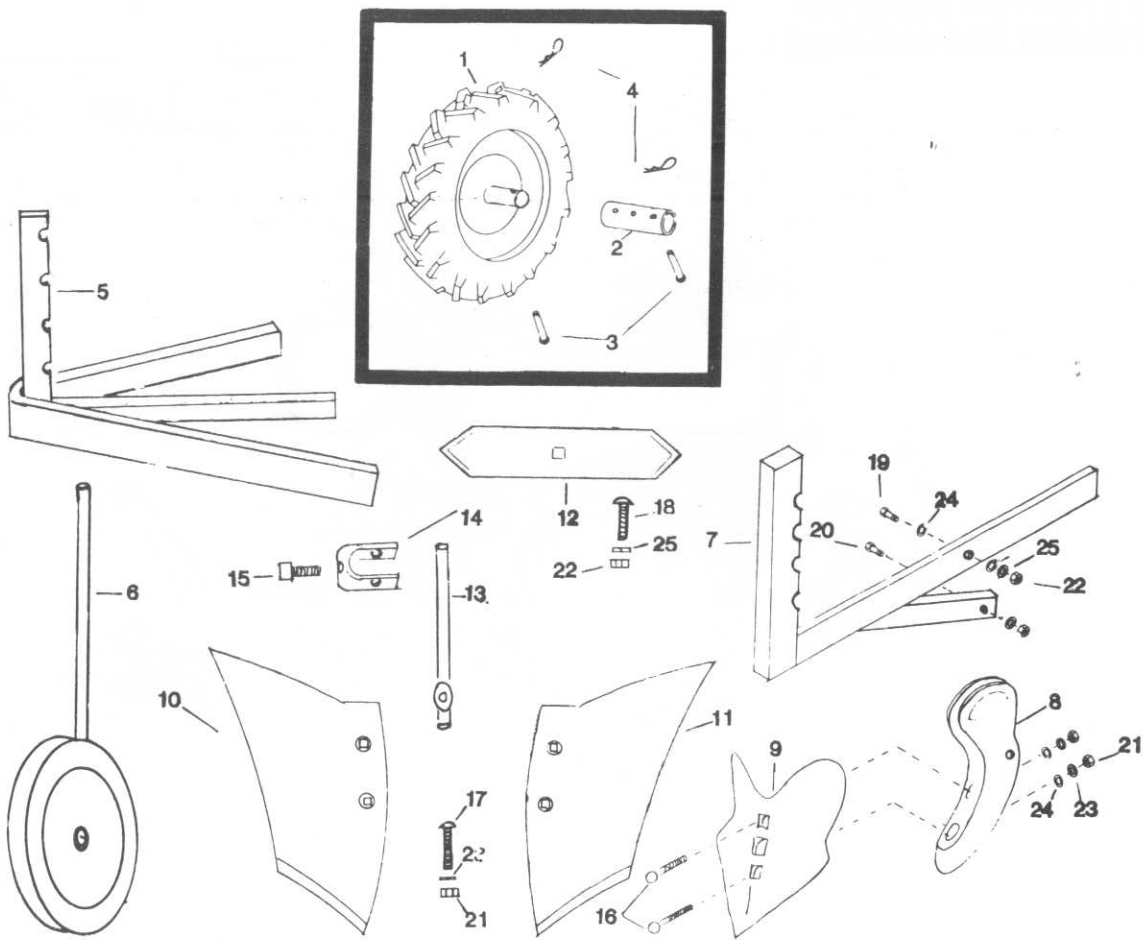


**A-FRAME WITH CULTIVATING
BLADES AND DEPTH WHEEL**



**FURROW OPENER ASSEMBLY
WITH DEPTH WHEEL**

**REMOVE TINES AND REPLACE WITH 16" PULL WHEELS BEFORE ATTEMPTING
TO USE CULTIVATING ACCESSORIES.
REMOVE DRAG STAKE FROM HITCH CASTING.
INSERT A-FRAME OR FURROW OPENER ASSEMBLY.**



Ref. #	Part #	Description	Quan.
1	162005	16" Pull Wheel	2
2	130725	Inside Extension Tube	2
3	461466	Clevis Pin	4
4	460312	Hair Cotter Pin	4
5	336702	A-Frame Mounting Bar	1
6	336723	Depth Wheel Assembly	1
7	336705	Tool Bar	1
8	336704	Tool Holder	1
9	336695	8" Furrower	1
10	336697	7" RH Turn Shovel	1
11	336698	7" LH Turn Shovel	1
12	336703	Reversible Cultivator Blade	4
13	336700	Standard	4
14	336701	Adjustment Bracket	5
15	403122	Square Head Bolt, 1/2" X 1 1/4"	5
16	403107	Plow Bolt, 7/16" X 2 1/4"	2
17	403104	Plow Bolt, 7/16" X 1 1/2"	2
18	403103	Plow Bolt, 3/8" X 1 1/2"	4
19	400272	Capscrew, 3/8" X 2 1/2" NC	1
20	400269	Capscrew, 3/8" X 2 NC	1
21	443113	Nut, 7/16"	4
22	443110	Nut, 3/8"	6
23	446146	Lockwasher, 7/16"	4
24	455043	Flat Washer, 7/16"	4
25	446142	Lockwasher, 3/8"	6